

# FURY TWB

- effective spray strength
- low flow rates
- fast, effective cleaning
- protection against damage



- pressure range 5 – 25 bar
- cleaning diameter up to 16 m
- flow rate between 23 - 105 lpm
- energy-saving drive technology
- low risk of damage
- installation opening only 200/120 mm
- also available as Fury TWB HP version



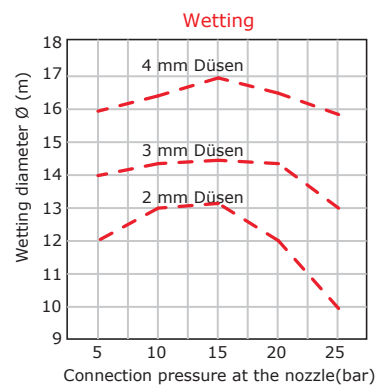
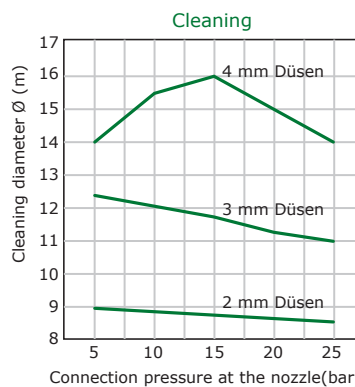
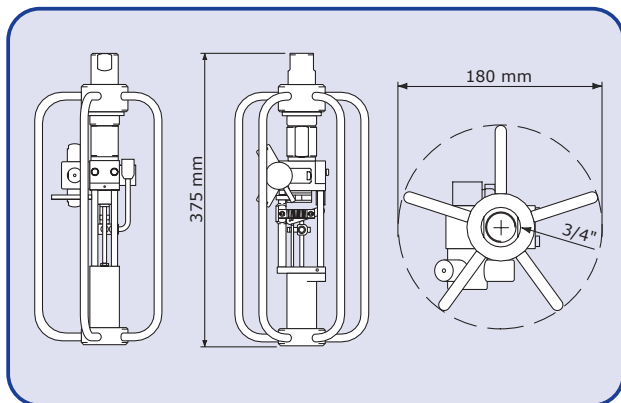
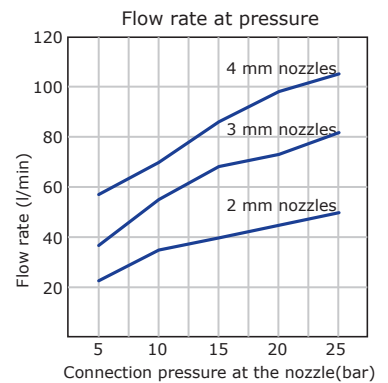
The FURY TWB is a powerful and water-saving tank cleaner in which the nozzles oscillate 60° while the TWB constantly rotates around its own axis. A cage protects the tank cleaner and nozzle head from damage. The TWB is mainly used when powerful cleaning with the lowest consumption of cleaning medium is required. The drive is designed to be very easy to maintain and to minimize wear, so that the lowest possible costs and a long service life can be assumed.

The FURY TWB is self-lubricating and is driven only by the force of the cleaning medium flowing through it. It has a simple drive system without high speed turbines or gears. The FURY TWB achieves a 360° spray pattern and is mainly used in process vessels, trucks and transport containers. Especially in the dairy, food, beverage, pharmaceutical and chemical industries, this reliable and resource-saving container cleaner is used. The FURY TWB can be permanently mounted and can also be used in mobile applications.

The index mechanism of the FURY TWB ensures very effective and careful coverage of the spray pattern with the open design of the FURY TWB makes maintenance and inspection very easy. The FURY TWB is also available as a high pressure version!

## Technical data:

|                              |  |
|------------------------------|--|
| Max. cleaning diameter:      | 16 meter   |
| Spraypattern:                | 360°, optional 180°  |
| Pressure range:              | 5 – 25 bar   |
| Flowrate:                    | 23 – 105 LPM (1,4 – 6,3 m <sup>3</sup> /h), (6 – 27.7 US gpm)                                  |
| Insertion opening:           | min. Ø 200/120 mm (depending on the protection cage)   |
| Preferred mounting position: | vertical   |
| Weight:                      | ca. 4,4 KG   |
| Materials:                   | Stainless Steel 316 (1.4401), 316L (1.4404), C.PTFE, PTFE, C.PEEK, PEEK, Nitril, Viton, Kalrez |
| Pipe connection:             | 3/4" BSP/NPT female thread   |
| Nozzle equipment:            | 3 x 2 mm nozzles, 3 x 3 mm nozzles, 3 x 4 mm nozzles   |
| Certificates:                | on request   |
| Max. operating temperature:  | 120° C (248° F)  |
| Max. ambient temperature:    | 140° C (284°F), 30Min.   |



The data, technical data and information presented do not release the user from the obligation to check the suitability of the products supplied for the intended application. All information is without guarantee. (Status: 03.02.2022-71427321893-1888948-71042)