

FURY TWB HP

- effective spray strength
 - low flow rates
- fast, effective cleaning
- protection against damage



- pressure range 20 – 90 bar
- cleaning diameter up to 10 m
- flow rate between 35 – 70 lpm
- energy-saving drive technology
- low risk of damage
- installation opening only 200/120 mm
- also available as Fury TWB version



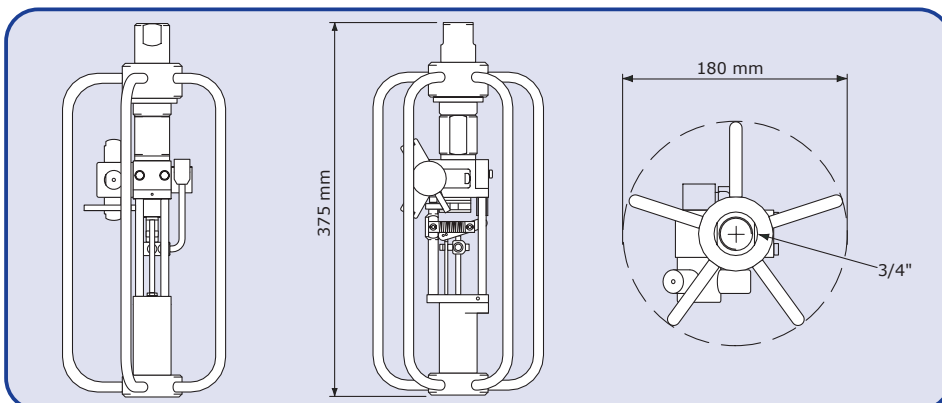
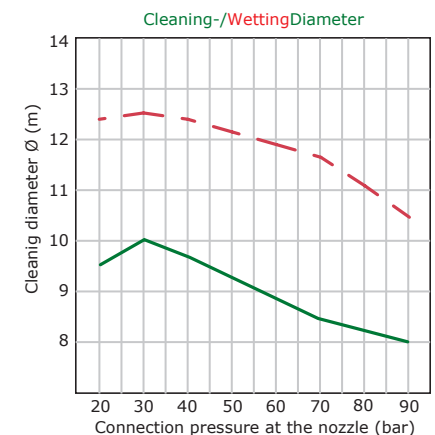
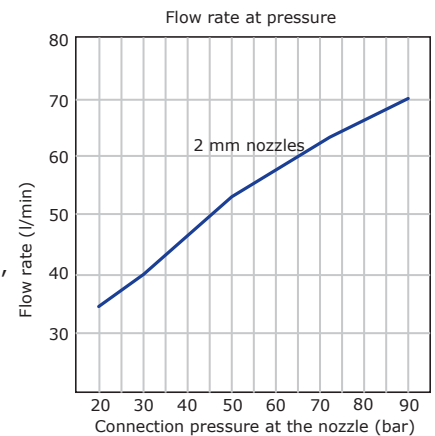
The FURY TWB HP is the high-pressure version of the FURY TWB, a powerful and water-saving tank cleaner, in which the nozzles oscillate 60°, while the FURY TWB HP constantly rotates on its own axis. Through a cage the tank cleaner and nozzle head are well protected from damage. The TWB HP is mainly used when powerful cleaning with the lowest consumption of cleaning medium is desired.

The drive is designed to be very easy to maintain and to minimize wear, so that the lowest possible costs and a long service life can be assumed. The FURY TWB HP is self-lubricating and is driven only by the force of the cleaning medium flowing through it. It has a simple drive system without high speed turbines or gears. The FURY TWB HP achieves a 360° spray pattern and is mainly used in process vessels, trucks and transport containers. Especially in the dairy, food, beverage, pharmaceutical and chemical industries, this reliable and resource-saving container cleaner is used. The FURY TWB HP can be permanently mounted and can also be used in mobile applications.

The index mechanism of the FURY TWB HP ensures very effective and careful coverage of the spray pattern with maximum spray strength and cleaning effect. The open design of the FURY TWB HP makes maintenance and inspection very easy. The FURY TWB HP is also available as a low pressure version!

Technical data:

Max. cleaning diameter:	10 meter
Spraypattern:	360°, optional 180°
Pressure range:	20 – 90 bar
Flowrate:	35 – 70 LPM (2,1 – 4,2 m ³ /h), (9.2 – 18.5 US gpm)
Insertion opening:	min. Ø 200/120 mm (depending on the protection cage)
Preferred mounting position:	vertical
Weight:	ca. 4,4 KG
Materials:	Stainless Steel 316 (1.4401), 316L (1.4404), C.PTFE, PTFE, C.PEEK, PEEK, Nitril, Viton, Kalrez
Pipe connection:	3/4" BSP/NPT female thread
Nozzle equipment:	3 x 2 mm nozzles
Certificates:	on request
Max. operating temperature:	120° C (248° F)
Max. ambient temperature:	140° C (284°F), 30Min.



The data, technical data and information presented do not release the user from the obligation to check the suitability of the products supplied for the intended application. All information is without guarantee. (Status: 03.02.2022-71427321893-1888948-71042)