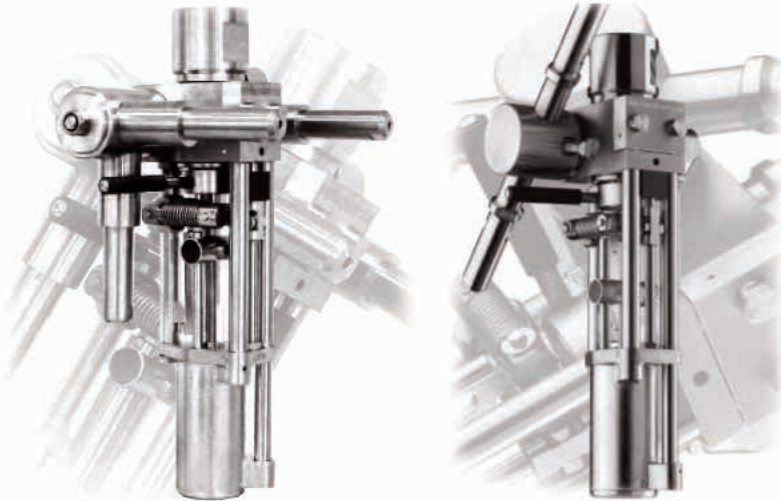


# FURY 600

- proven in usage
- low maintenance requirements
- high flow rates
- short cleaning times



- Pressure range 4 – 12 bar
- Cleaning diameter up to 17 m
- Flow rate between 50 - 220 lpm
- Also available as Fury 600 version
- Various spray patterns available
- Very easy to maintain drive



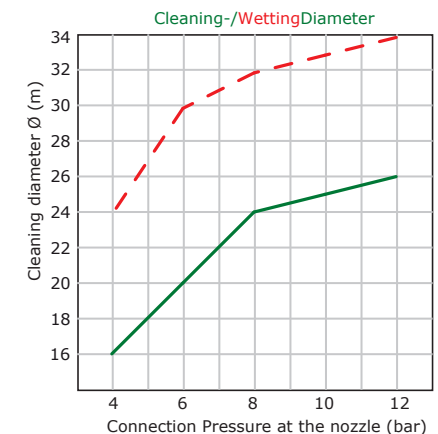
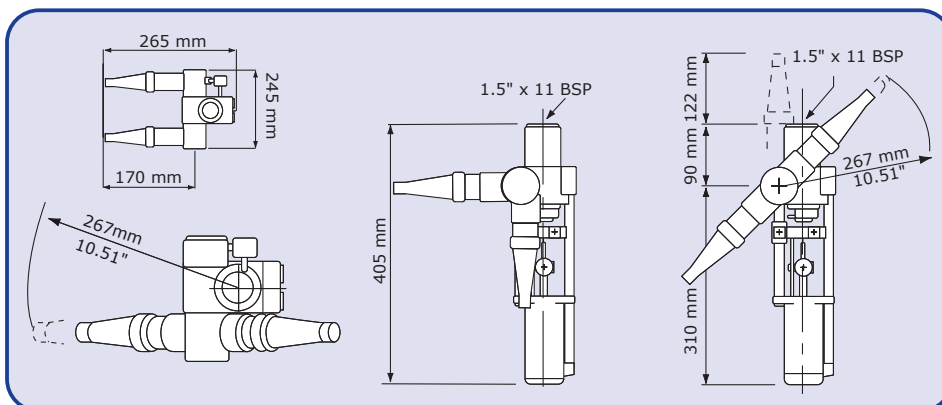
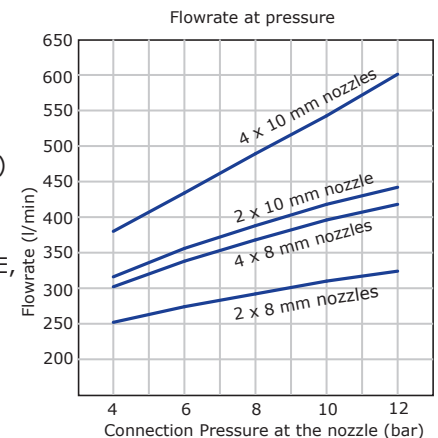
The FURY 600 is a compact cleaning device with a simple drive that has only one piston. During operation the nozzles of the FURY oscillate at a 90° angle, while the head of the FURY rotates around its own axis. This extremely powerful water jets with a long range are generated. The FURY is powered solely by the cleaning fluid, with only 5% of the medium is used for the drive. 95% of the cleaning medium passes through the nozzles and produces maximum mechanical cleaning action. The FURY 600 is ideal for applications where strict hygiene and product cleanliness requirements are essential. The versatile FURY 600 is available with 180° and 360° spray patterns. It is designed for use in process vessels, storage tanks as well as transport containers.

The FURY tank cleaner is specifically used in beverage and dairy processing, brewing, pharmaceutical, chemical, nuclear and transportation industries. With its simple and compact design, the FURY 600 can be permanently installed as well as mobile. The FURY 600 is driven by a slow rotating piston. This makes it unique among tank cleaners in its class.

The FURY 600 requires only 5% of the used cleaning medium for the drive. Since the FURY 600 does not contain a complicated drive or high-speed turbines, it is very easy to maintain. Due to its simple drive mechanism, the FURY 600 produces uniform coverage cleaning. Its specially designed nozzles produce jets with unsurpassed mechanical action. The FURY 600 convinces with guaranteed optimal cleaning results. The slow operating speed of the FURY 600 guarantees low wear and tear of the components. The open design of the FURY 600 makes maintenance and inspection very easy. The 4-nozzle model of the Fury 600 is only available in 180° design.

## Technical data:

Max. cleaning diameter:	26 meter
Spraypattern:	360° and 180° up- and downwards
Pressure range:	4 – 12 bar
Flowrate:	250 – 600 LPM (15,0 – 36,0 m <sup>3</sup> /h), (66 – 158.5 US gpm)
Insertion opening:	min. Ø 480/200 mm (depending on the nozzle)
Preferred mounting position:	vertical
Weight:	ca. 10 KG
Materials:	Stainless Steel 316 (1.4401), 316L (1.4404), C.PTFE, PTFE, C.PEEK, PEEK, Nitril, Viton, Kalrez
Pipe connection:	1.5" BSP/NPT female
Nozzle equipment:	2 x 8 mm, 2 x 10 mm, 4 x 8 mm, 4 x 10 mm nozzles
Certificates:	on request
Max. operating temperature:	120° C (248° F)
Max. ambient temperature:	140° C (284°F), 30Min.



The data, technical data and information presented do not release the user from the obligation to check the suitability of the products supplied for the intended application. All information is without guarantee. (Status: 01.02.2022-71427321893-1888948-71042)