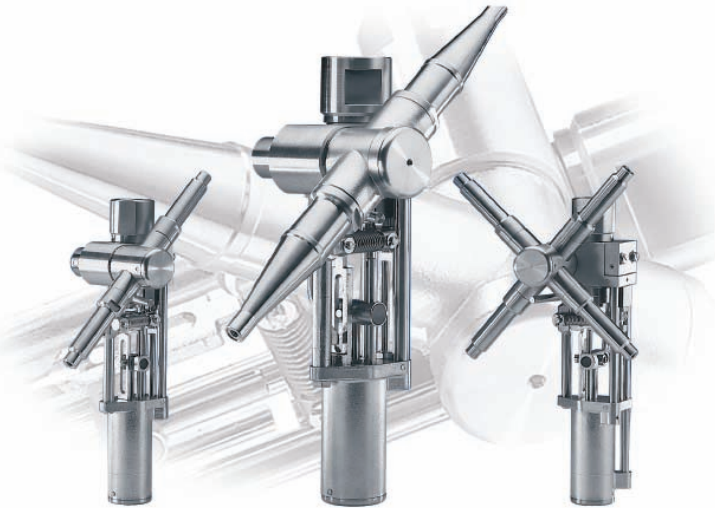


# FURY 400

- proven in usage
- low maintenance requirements
- low flow rates
- short cleaning times



- Pressure range 4 – 12 bar
- Cleaning diameter up to 17 m
- Flow rate between 50 - 220 lpm
- Also available as Fury 600 version
- Various spray patterns available
- Very easy to maintain drive



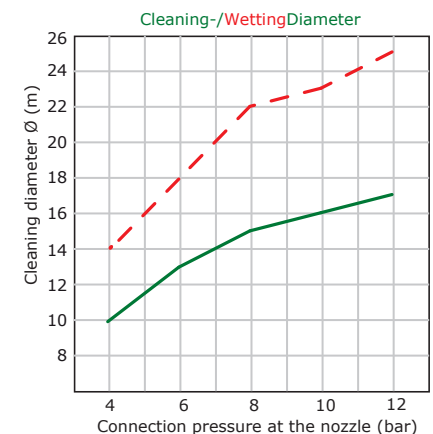
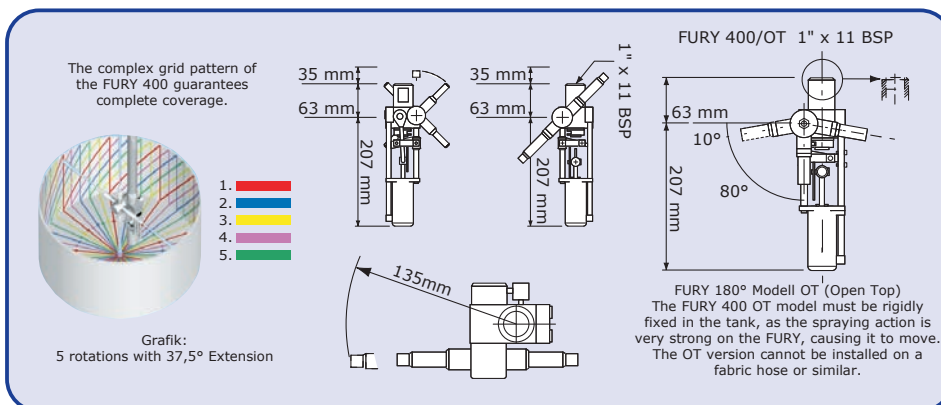
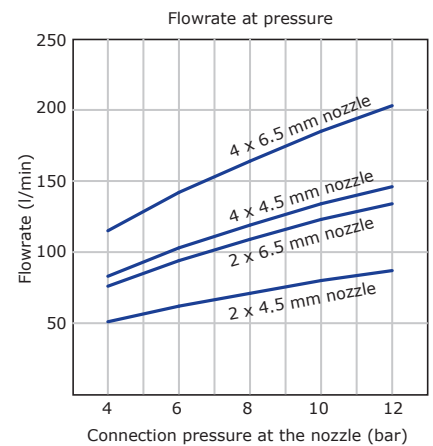
The FURY 400 is a compact cleaning device with a simple drive. In operation, the nozzles of the FURY oscillate at a 90° angle while the head of the FURY rotates around its own axis. This produces extremely powerful water jets with a long range. The FURY is powered solely by the cleaning fluid, with only 5% of the fluid being used for propulsion. 95% of the cleaning medium passes through the nozzles and produces a maximum mechanical cleaning effect. The FURY 400 is ideal for applications where strict hygiene and product cleanliness requirements are essential. The FURY 400 is available with 180° and 360° spray patterns.

It is designed for use in process vessels, storage tanks and transport containers. The FURY tank cleaner is specifically used in beverage and dairy processing, breweries, pharmaceutical, chemical, nuclear and transportation industries. With its simple and compact design, the FURY 400 can be permanently installed as well as mobile. The FURY 400 is driven by a slowly rotating piston. This makes it unique among tank cleaners in its class.

Since the FURY 400 does not contain a complicated drive or high-speed turbines, it is very easy to maintain. Its specially developed nozzles produce jets with unsurpassed mechanical effect. The FURY 400 convinces with guaranteed optimal cleaning results. The slow rotation speed of the FURY 400 guarantees long-lasting use and low wear of the components. The open design of the FURY 400 makes maintenance and inspection very easy. The minimum installation opening required to install the FURY 400 is 225 mm. In the 2-nozzle model, the nozzles can be rotated vertically so that an installation opening of 140 mm is sufficient.

## Technical data:

max. Cleaning diameter:	17 meter
Spraypattern:	360° and 180° up- and downwards
Pressure Range:	4 – 12 bar
Flowrate:	50 – 200 LPM (3,0 – 12,0 m <sup>3</sup> /h)
Insertion Opening:	min. Ø 225/140 mm (depending on the nozzle)
Preferred Mounting Position:	vertical
Weight:	ca. 2,3 KG
Materials:	Stainless Steel 316 (1.4401), 316L (1.4404), C.PTFE, PTFE, C.PEEK, PEEK, Nitril, Viton, Kalrez
Pipe Connection:	1" BSP/NPT female
Nozzle equipment:	2 x 4,5 mm, 2 x 6,5 mm, 4 x 4,5 mm, 4 x 6,5 mm Düsen
Certificates:	on request
max. Operating Temperature:	120° C (248° F)
max. Ambient Temperature:	140° C (284° F), 30Min.



The data, technical data and information presented do not release the user from the obligation to check the suitability of the products supplied for the intended application. All information is without guarantee. (Status: 30.01.2022-71427321893-1888948-71042)